

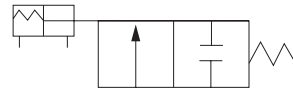
DWA Series

Air operating valve

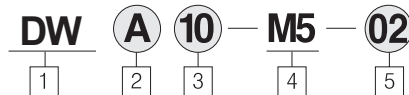


- Air operating type valve
- Simple Structure | Simple installation
- Outstanding durability
- Spring return type

Symbol



How to order



1 DW series

2 Flange type

A: Air operating type

AF: Air operating / Flange type

※ Flange type is available with Ø25 or larger.

3 Orifice size

10 : Ø10
 15 : Ø15
 20 : Ø20
 25 : Ø25
 32 : Ø32
 40 : Ø40
 50 : Ø50

4 Port size for cylinder

Symbol	Port size	Orifice
20, 25	M5 TAP	B10
32, 40	PT 1/8	B15=625
50, 63, 80, 100	PT 1/4	B32=665

5 Port size

02 : PT 1/4
 03 : PT 3/8
 04 : PT 1/2
 06 : PT 3/4
 10 : PT 1
 12 : PT 1 1/4
 14 : PT 1 1/2
 20 : PT 2

Air operating valve **DWA Series**

■ Caution

Be sure to have a full understanding before use and refer to safety cautions and common cautions.

Piping

⚠ Caution

- For steam use, fitting and tube should be heat-resistant type. (Insertion Fitting, Teflon tube etc)

Specifications

Fluid temperature	Air, Water, Oil	
Fluid temperature	0-60°C	
Ambient temperature	50°C (MAX)	
Operating pressure range	0-15kgf/cm ²	
Body material	Standard type	BRASS
	Flange type	BRONZE
Seal material	NBR	
Operating pressure for cylinder	5-7kgf/cm ²	

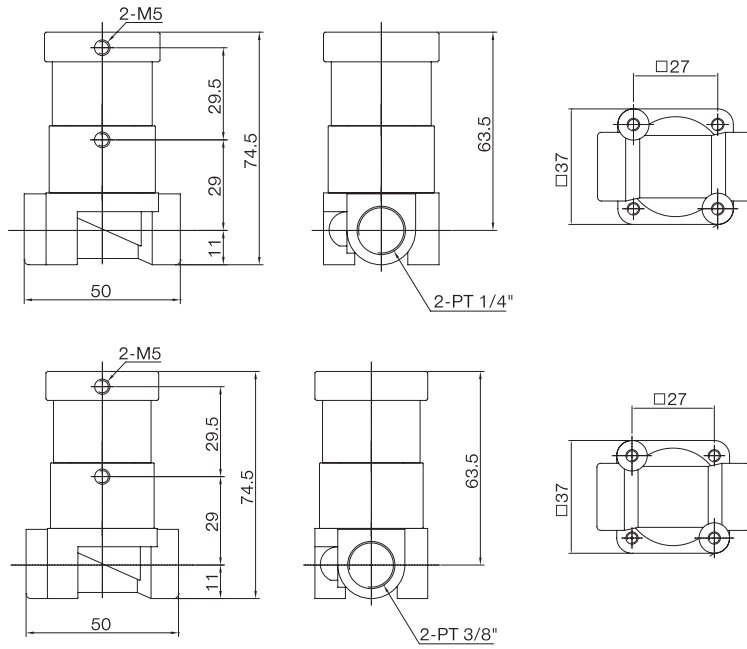
Weight

Orifice size	Port size for valve	Standard type	Flange type
Ø5	PT 1/4	0.4kg	
Ø10	PT 3/8	0.4kg	
Ø15	PT 1/2	0.9kg	
Ø20	PT 3/4	1.25kg	
Ø25	PT 1	1.45kg	3.7kg
Ø32	PT 1 1/4	2.5kg	6.5kg
Ø40	PT 1 1/2	2.9kg	6.7kg
Ø50	PT 2	3.8kg	8.6kg

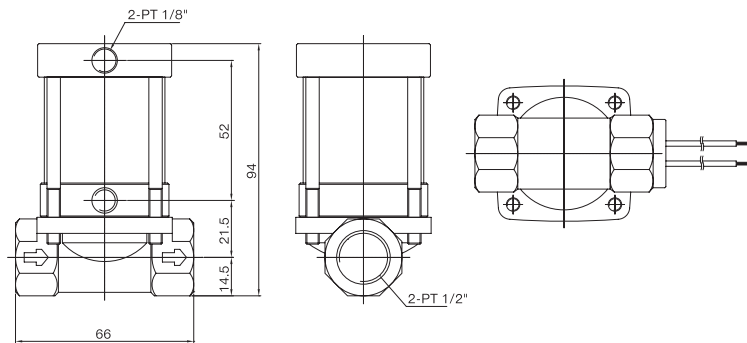
DWA Series

Air operating valve

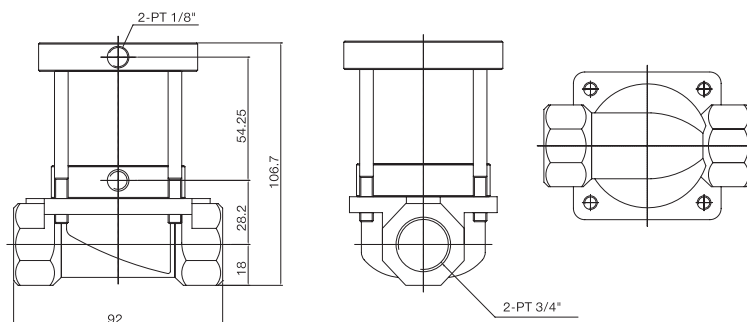
DWA10



DWA15



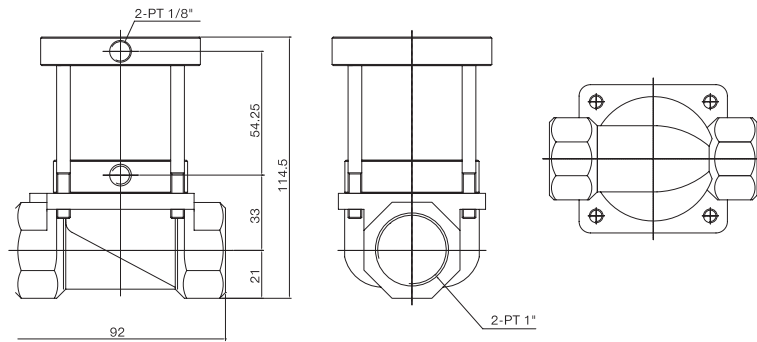
DWA15



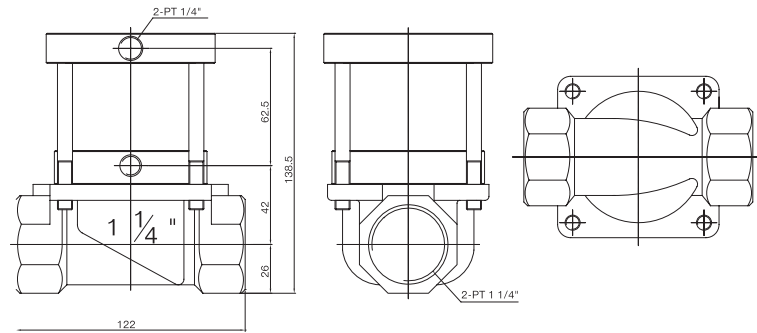
Air operating valve **DWA Series**

Air operating valve

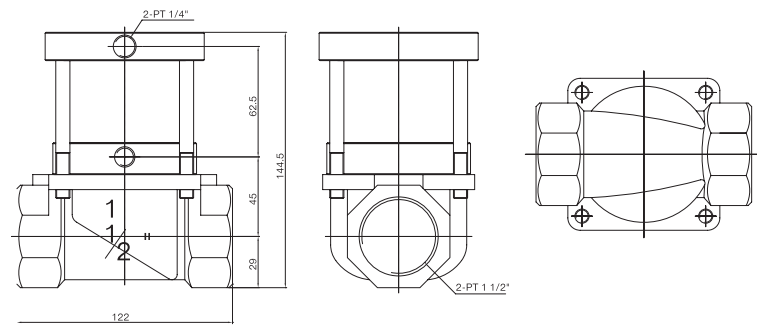
DWA25



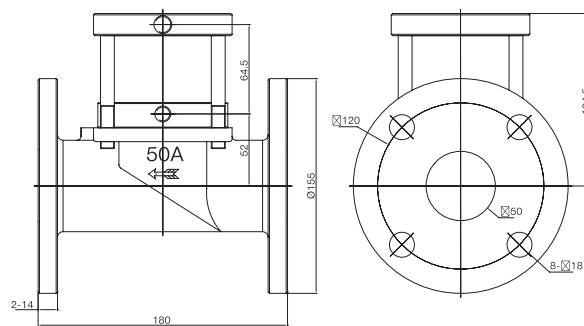
DWA25



DWA25



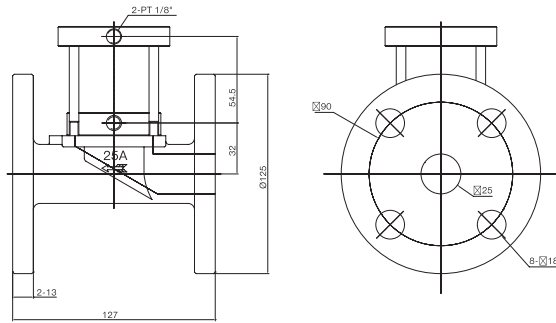
DWA25



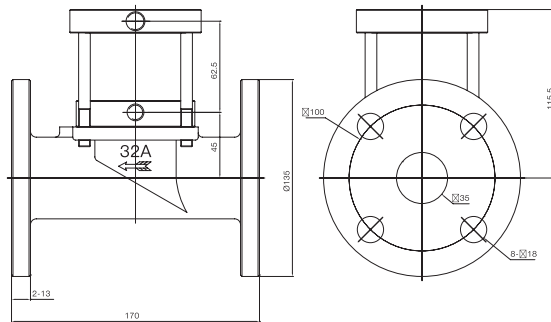
DWA Series

Air operating / Flange type

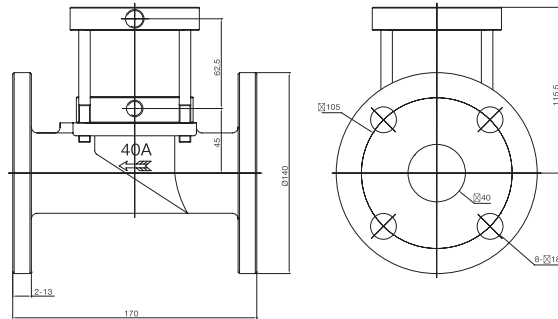
DWA25F



DWA32F



DWA40F



DWA40F

