

Series PFH(U)2~PFH(U)5

Coalescing Filter 1/8", 1/4", 3/8", 1/2", 3/4" and 1"

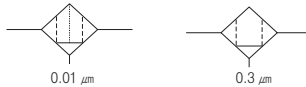


Standard Specifications

Description	PFH/PFU2	PFH/PFU3	PFH/PFU4	PFH/PFU5
Max. Operating Pressure (MPa)	1.0(140psi)			
Proof Pressure (MPa)	1.5(200psi)			
Ambient and Fluid Temperature (°C)	-5 ~ 60 (Non-freezing)			
Flow Capacity ※	1/8" 200	1/4" 450	3/8" 1100	3/4" 1100
(N ℓ /min)	1/4" (7scfm)	3/8" (16scfm)	1/2" (39scfm)	1" (39scfm)
Bowl Material	Polycarbonate			
Bowl Guard Material	Nylon			
Filtration (μm)	PFH : 0.3, PFU : 0.01			
Drain	Manual	15(0.51oz)	38(1.28oz)	56(1.89oz)
	Auto	21(0.71oz)	30(1.01oz)	68(2.3oz)
Capacity (cm ³)				
Weight (kg)	0.14(0.31oz)	0.24(0.53oz)	0.5(1.1oz)	1.1(2.43oz)

※ Test conditions : Supply pressure 0.6MPa(90psi), pressure drop 0.07MPa(10psi)

Symbol



How to Order

PFH 4 — * 04 B D — *

Coalescing Filter

PFH	HEPA Filter (Filtration 0.3μm)
PFU	Ultra Filter (Filtration 0.01μm)

Series

2	PC2 Series	4	PC4 Series
3	PC3 Series	5	PC5 Series

Thread

Blank	Rc(PT)
N	NPT
G	G(PF)

Port Size

01	1/8	PC2 Series
02	1/4	PC2,3 Series
03	3/8	PC3,4 Series
04	1/2	PC4 Series
06	3/4	PC5 Series
10	1	PC5 Series

Other Option

Symbol	Description	Applicable Series
L	Life Indicator	PC4~5 Series
R	Flow direction : Right→Left	PC2~5 Series
XC16	Copper-free	PC2~5 Series

Drain Option

Symbol	Description	Applicable Series
Blank	Manual Drain	PC2~PC5
D	Auto Drain (N.O Type)	PC2~PC5
D2	Auto Drain (Piping Exhaust)	PC2
D5	Manual Drain (Piping Exhaust)	PC2

Note1) Min. operating pressure is 0.15MPa(20psi) for Auto Drain (N.O Type)

Bracket Option

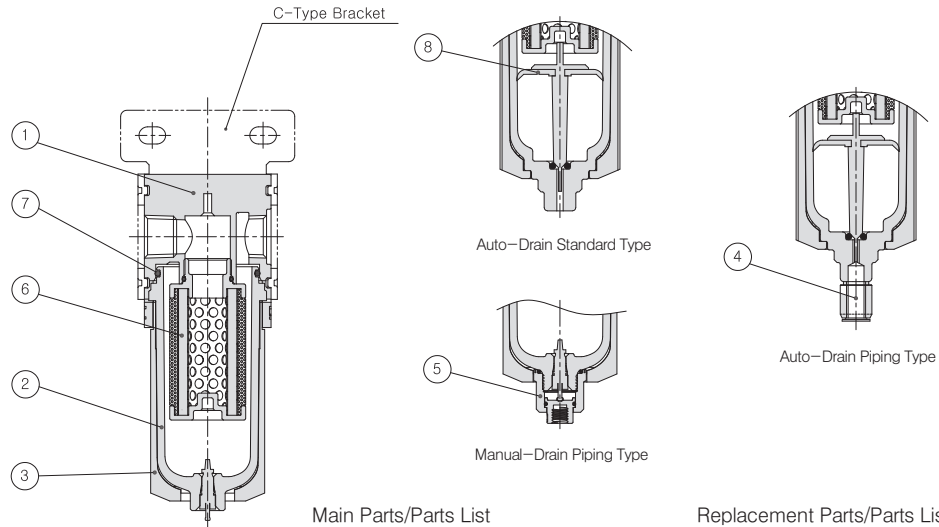
Blank	None
B	Bracket

Note2) Separately packed, Not assembled.

- PC2
- PF2
- PR2
- PL2
- PP2
- PC3
- PF3
- PR3
- PL3
- PP3
- PC4
- PF4
- PR4
- PL4
- PP4
- PC5
- PF5
- PR5
- PL5
- PP5
- PFH(U)2~PFH(U)5
- PPH(U)3~PPH(U)4
- PLV
- PSH
- PCV
- MB

Series PFH(U)2~PFH(U)5

PFH2 Construction



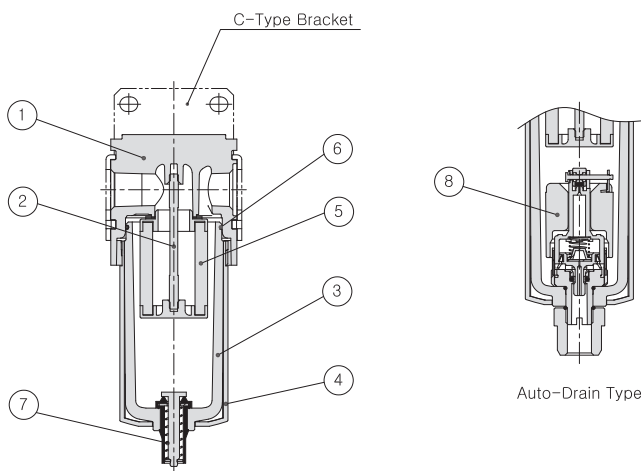
Main Parts/Parts List

NO.	Description	Material	Remark
①	Body	Aluminum	
②	Bowl	Polycarbonate	
③	Bowl Guard	Nylon	
④	Fitting	-	
⑤	Manual Drain Piping Ass'y	-	

Replacement Parts/Parts List

NO.	Description	Material	Part No.
⑥	Coalescing Filter Element Ass'y	-	PFH2-24A030-01
⑦	Bowl O-ring	NBR	DX2R-53-3000
⑧	Auto Drain Ass'y	-	PF2-26A002-01

PFH3 Construction



Main Parts/Parts List

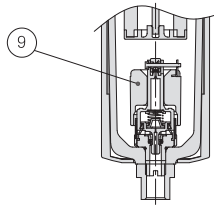
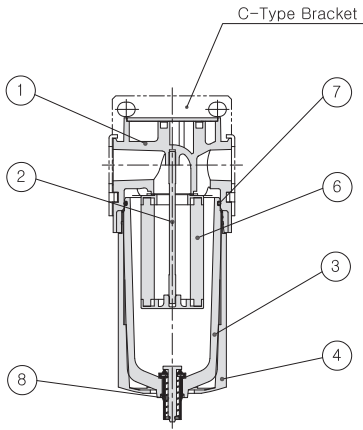
NO.	Description	Material	Remark
①	Body	Aluminum	
②	Baffle Shaft	Rolled Steel	
③	Bowl	Polycarbonate	
④	Bowl Guard	Nylon	

Replacement Parts/Parts List

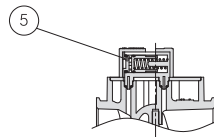
NO.	Description	Material	Part No.
⑤	Coalescing Filter Element Ass'y	-	PFH3000-005A-6081
⑥	Bowl O-ring	NBR	PL3-04-001-01
⑦	Drain Ass'y	-	TAF3000-10A-6004
⑧	Auto Drain Ass'y	-	TAF3000-04A-6008

Series PFH(U)2~PFH(U)5

PFH4 Construction



Auto-Drain Type



Life Indicator Type

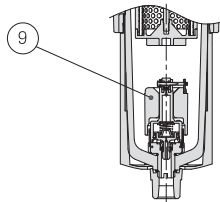
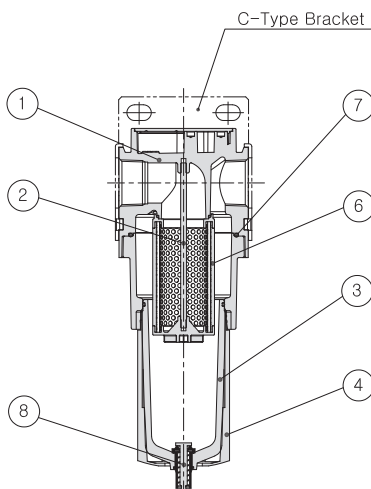
Main Parts/Parts List

NO.	Description	Material	Remark
①	Body	Aluminum	
②	Baffle Shaft	Rolled Steel	
③	Bowl	Polycarbonate	
④	Bowl Guard	Nylon	
⑤	Life Indicator	-	Option

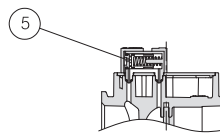
Replacement Parts/Parts List

NO.	Description	Material	Part No.
⑥	Coalescing Filter Element Ass'y	-	PFH4000-005A-6083
⑦	Bowl O-ring	NBR	TAF4000-08-6000
⑧	Drain Ass'y	-	TAF3000-10A-6004
⑨	Auto Drain Ass'y	-	TAF3000-04A-6008

PFH5 Construction



Auto-Drain Type



Main Parts/Parts List

NO.	Description	Material	Remark
①	Body	Aluminum	
②	Baffle Shaft	Rolled Steel	
③	Bowl	Polycarbonate	
④	Bowl Guard	Nylon	
⑤	Life Indicator	-	Option

Replacement Parts/Parts List

NO.	Description	Material	Part No.
⑥	Coalescing Filter Element Ass'y	-	PFH5-24A030-01
⑦	Bowl O-ring	NBR	TAF4000-08-6000
⑧	Drain Ass'y	-	TAF3000-10A-6004
⑨	Auto Drain Ass'y	-	TAF3000-04A-6008

PC2

PF2

PR2

PL2

PP2

PC3

PF3

PR3

PL3

PP3

PC4

PF4

PR4

PL4

PP4

PC5

PF5

PR5

PL5

PP5

PFH(U)2~
PFH(U)5

PPH(U)3~
PPH(U)4

PLV

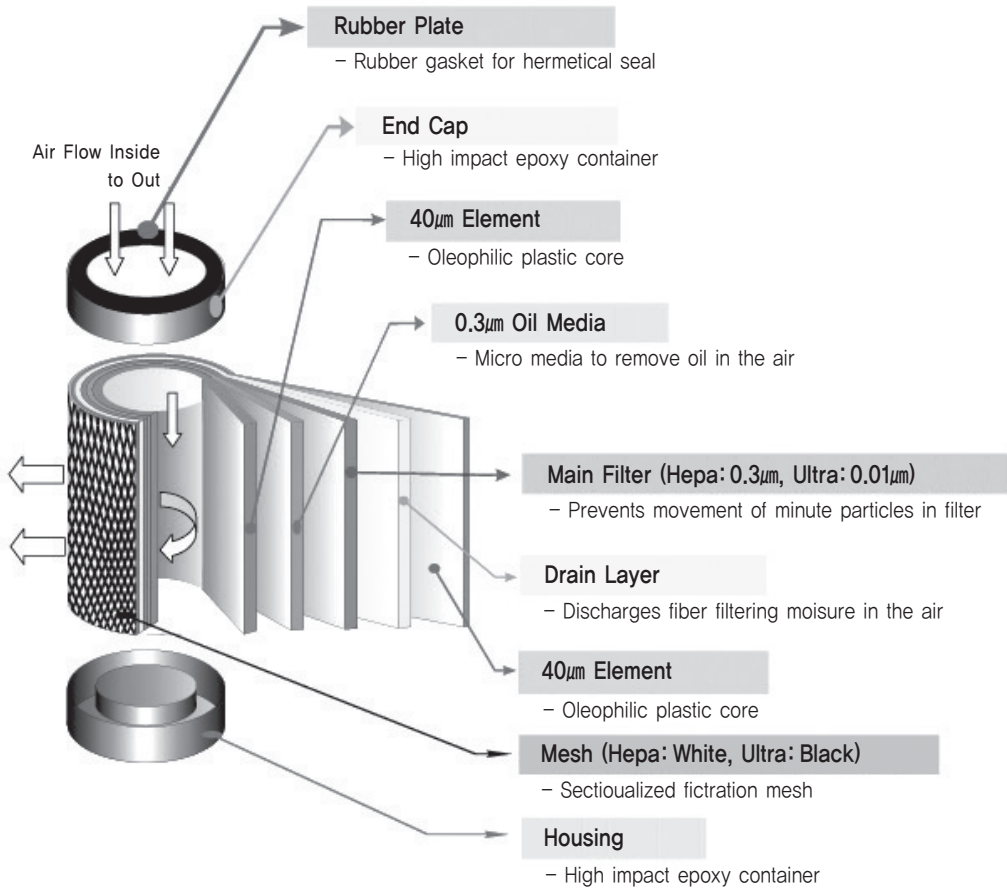
PSH

PCV

MB

Series PFH(U)2~PFH(U)5

Construction of Coalescing Filter Element

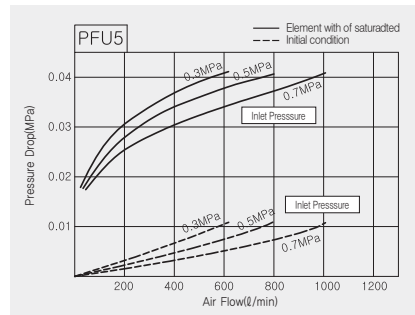
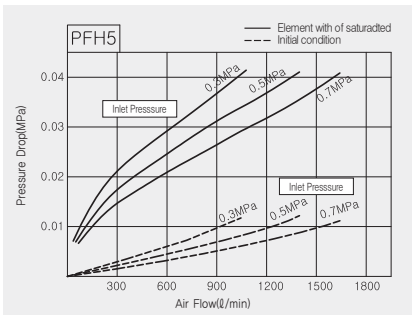
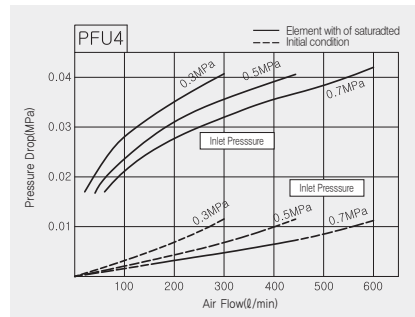
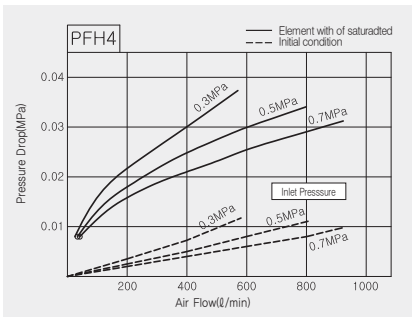
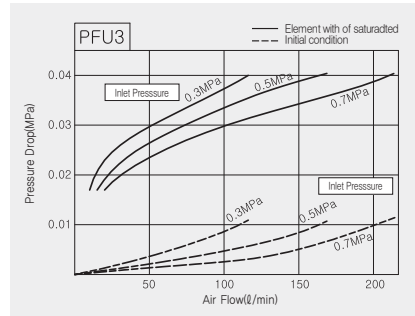
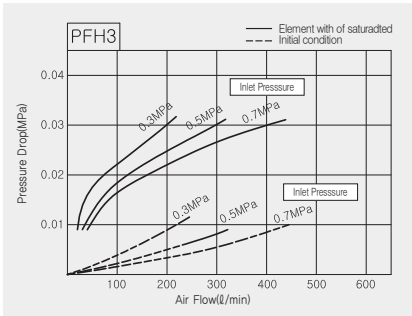
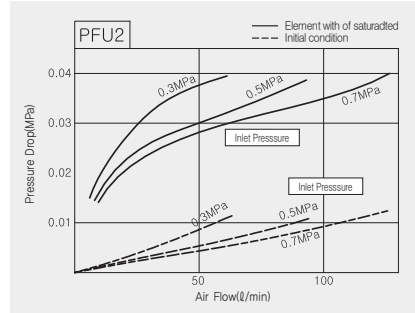
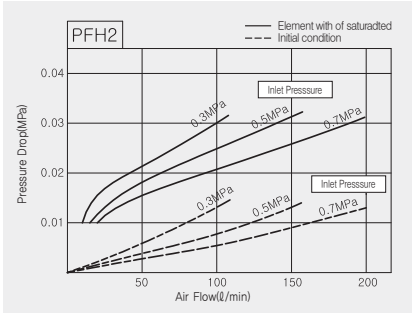


Media Characteristics

NO	Grade	D.O.P Efficiency 0.3 to 0.6 μ m	Oil Content	Color
1	0.01 μ m	99.99%	0.01ppm	White
2	0.3 μ m	99.97%	0.05ppm	Black

Series PFH(U)2~PFH(U)5

Flow Characteristics



PC2

PF2

PR2

PL2

PP2

PC3

PF3

PR3

PL3

PP3

PC4

PF4

PR4

PL4

PP4

PC5

PF5

PR5

PL5

PP5

**PFH(U)2~
PFH(U)5**

PPH(U)3~
PPH(U)4

PLV

PSH

PCV

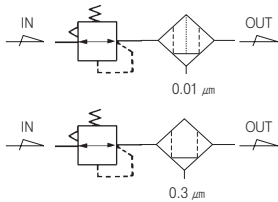
MB

Series PPH(U)3, PPH(U)4

Piggyback Coalescing Filter 1/4", 3/8" and 1/2"



PAT



Standard Specifications

Series	PPH/PPU3	PPH/PPU4
Max. Operating Pressure (MPa)	1 (140psi)	
Proof Pressure (MPa)	1.5 (200psi)	
Set Pressure	Standard	0.05 ~ 1.0 (7~140psi)
Range(MPa)	Madd to Order Specifications	0.05~1.2(7~170psi) 0.05~1.5(7~200psi)
Ambient and Fluid Temperature (°C)	-5 ~ 60(7~140psi) (Non-freezing)	
Flow Capacity (N ℓ /min) ※	1/4" and 3/8" ~ 300(11scfm)	3/8" and 1/2" ~ 800(28scfm)
Filtration (μm)	PPH : 0.3, PPU : 0.01	
Construction	Relieving Style	
Bowl Material	Polycarbonate	
Bowl Guard Material	Nylon	
Drain	Manual	38(1.28oz) 56(1.89oz)
Capacity (cm ³)	Auto	30(1.01oz) 68(2.3oz)
Weight (kg)	0.49(1.08oz)	0.74(1.63oz)

※ Test conditions : Supply pressure 0.7MPa(100psi), pre-set pressure 0.6MPa(90psi)

How to Order

PPH 4 — * 04 B D G — *

Piggyback Coalescing Filter

PPH	HEPA Filter (Filtration 0.3μm)
PPU	Ultra Filter (Filtration 0.01μm)

Series

3	PC3 Series
4	PC4 Series

Thread

Blank	Rc(PT)
N	NPT
G	G(PF)

Port Size

02	1/4	PC3 Series
03	3/8	PC3, 4 Series
04	1/2	PC4 Series

Bracket Option

Blank	None
B	Bracket + Panel Nut
B1	Panel Nut

Note2) Separately packed, Not assembled.

Other Option

Blank	Set at 0 to 1.0 MPa
12	Set at 0 to 1.2 MPa (PC3 Series)
15	Set at 0 to 1.5 MPa (PC4 Series)
E	Non-Relieving Type
R	Flow direction : Right→ Left
T	Tamper Resistant Kit
XC16	Copper-free

Note1,2) Refer to page 935 for Tamper Resistant Kit.
* If ordering more than one option, indicate symbols numerically then alphabetically Ex) 12RT
* Over Max. pressure value can be set.

Pressure Gauge

Symbol	Description	Pressure Range
Blank	None	
G	Integral Pressure Gauge (W/Limit Indicator)	1.0MPa
P	Pressure Range	1.0MPa
P2	Pressure Range	0.2MPa
P4	Pressure Range	0.4MPa

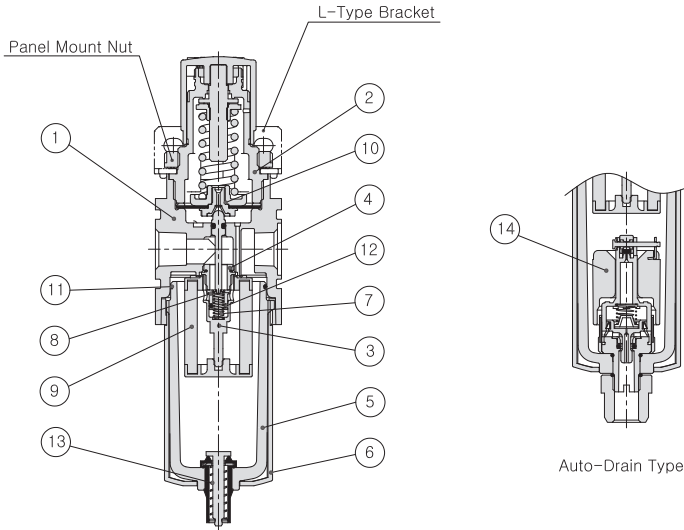
Drain Option

Blank	Manual Push Drain
D	Auto Drain (N.O Type)

Note3) Min. operating pressure is 0.15MPa(20psi) for Auto Drain (N.O Type)

Series PPH(U)3, PPH(U)4

PPH3/PPU3 Construction



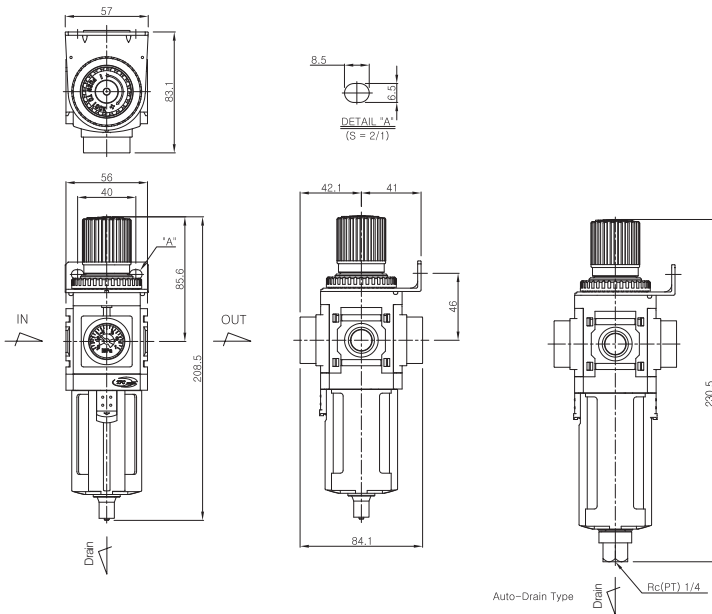
Main Parts/Parts List

NO.	Description	Material	Remark
①	Body	Aluminum	
②	Bonnet	Nylon	
③	Valve Guide	Aluminum	
④	Insert	Aluminum	
⑤	Bowl	Polycarbonate	
⑥	Bowl Guard	Nylon	
⑦	Valve Spring	Stainless Steel	

Replacement Parts/Parts List

NO.	Description	Material	Part No.
⑧	Valve ass'y	Brass+NBR	PPH3-08A001-01
⑨	Coalescing Filter Ass'y	-	PFH3000-005A-6081
⑩	Diaphragm Ass'y	Nylon+NBR	PR3-11A001-01
⑪	Bowl O-ring	NBR	PL3-04-001-01
⑫	Valve O-ring	NBR	S6-01
⑬	Drain Ass'y	-	TAF3000-10A-6004
⑭	Auto-Drain Ass'y	-	TAF3000-01A-6008

PPH3/PPU3 Dimensions



PC2

PF2

PR2

PL2

PP2

PC3

PF3

PR3

PL3

PP3

PC4

PF4

PR4

PL4

PP4

PC5

PF5

PR5

PL5

PP5

PPH(U)2~
PPH(U)5

PPH(U)3~
PPH(U)4

PLV

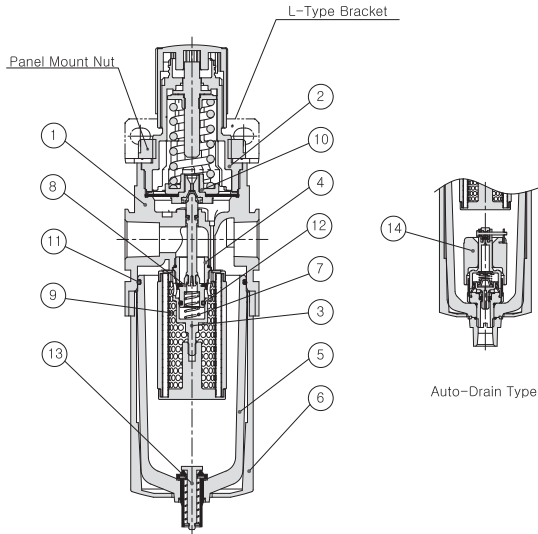
PSH

PCV

MB

Series PPH(U)3, PPH(U)4

PPH4/PPU4 Construction



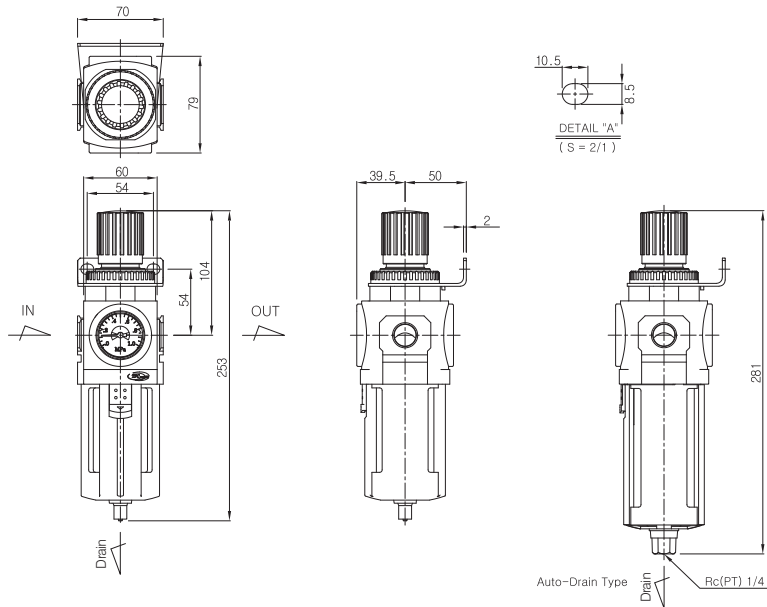
Main Parts/Parts List

NO.	Description	Material	Remark
①	Body	Aluminum	
②	Bonnet	Nylon	
③	Valve Guide	Aluminum	
④	Insert	Aluminum	
⑤	Bowl	Polycarbonate	
⑥	Bowl Guard	Nylon	
⑦	Valve Spring	Stainless Steel	

Replacement Parts/Parts List

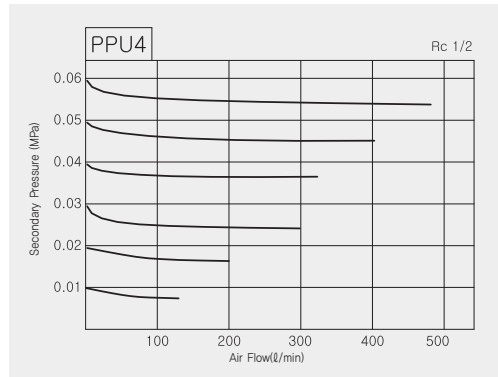
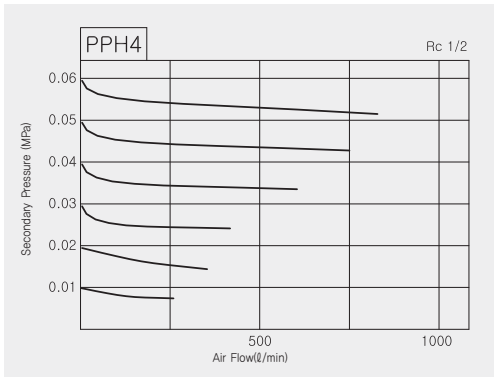
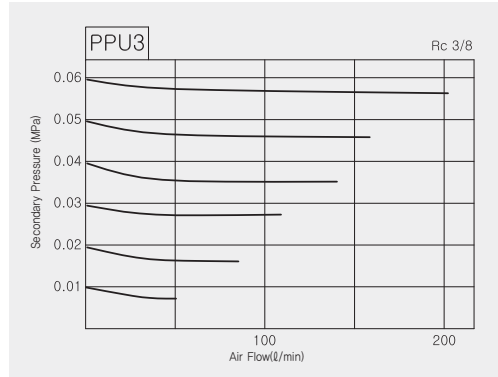
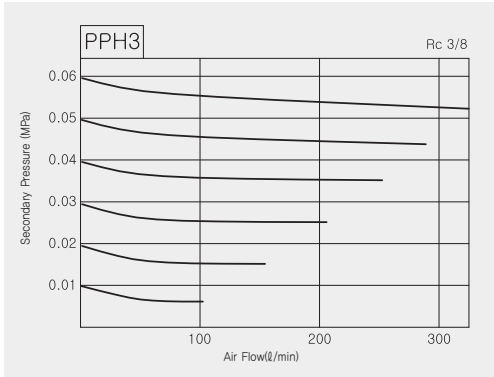
NO.	Description	Material	Part No.
⑧	Valve Assy	Nylon+NBR	PP3-08A001-01
⑨	Coalescing Filter Assy	-	PPH4-24A030-01
⑩	Diaphragm Assy	Nylon+NBR	PR4-11A001-01
⑪	Bowl O-ring	NBR	TAF4000-08-6000
⑫	Valve O-ring	NBR	P10-01
⑬	Drain Assy	-	TAF3000-10A-6004
⑭	Auto-Drain Assy	-	TAF3000-01A-6008

PPH4/PPU4 Dimensions



Series PPH(U)3, PPH(U)4

Flow Characteristics



PC2

PF2

PR2

PL2

PP2

PC3

PF3

PR3

PL3

PP3

PC4

PF4

PR4

PL4

PP4

PC5

PF5

PR5

PL5

PP5

PFH(U)2~
PFH(U)5

**PPH(U)3~
PPH(U)4**

PLV

PSH

PCV

MB