

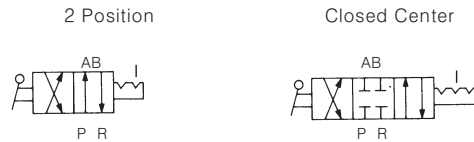
Series **DH**

Hand Valve (4 way)

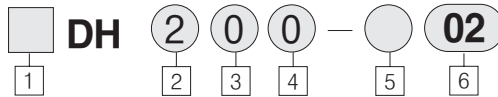


- PORTING OF NPT(PT) 1/4 " , 3/8 " AND 1/2 "
- ALUMINUM DIE CASTING DESIGN FOR HEAVY APPLICATIONS
- DETENTED CENTER POSITION

Symbol



How to Order



- 1 Thread**
Blank : Rc(PT)
U : NPT
- 2 Body Size (Basic Size)**
2 : Cv 0.4 (1/4 " Only)
3 : Cv 1.1 (3/8 " Only)
4 : Cv 3.1 (1/2 " Only)
- 3 Piping & Mounting Position**
0 : Piping-Side
Mounting-Body
1 : Panel Mountable
- 4 Position Symbol**
0 : 3 Position
Closed Center
2 : 2 Position
- 5 Thread**
Blank : Rc(PT)
G : Rc(PF)
- 6 Port Size**
02 : 1/4
03 : 3/8
04 : 1/2

Model

Series	Port Size Rc(PT)/NPT	Number of Positions	Piping	Model	Effective Orifice in ² (Cv factor)	Weight kgf(lbs)
				Body Ported		
DH2	1/4 "	3(Closed Center)		DH200-02	0.01 (0.4)	0.55(1.21)
UDH2		2Position		DH202-02		
DH3	3/8 "	3(Closed Center)		DH300-03	0.03 (1.1)	0.9(1.98)
UDH3		2Position		DH302-03		
DH4	1/2 "	3(Closed Center)		DH400-04	0.09 (3.1)	1.6(3.53)
UDH4		2Position		DH402-03		

Standard Specifications

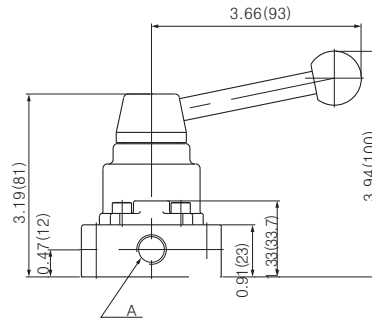
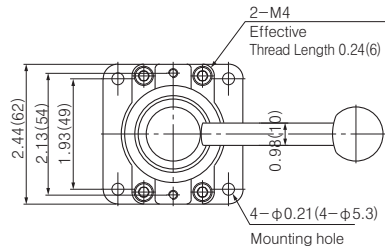
Fluid	Air
Proof Pressure	1.5MPa(200 PSI)
Max. Operating Pressure	990kPa(140 PSI)
Ambient and Operating Fluid Temperature	5~60°C (40~140°F)
Operating Angle	90 °

Series DH

Dimensions

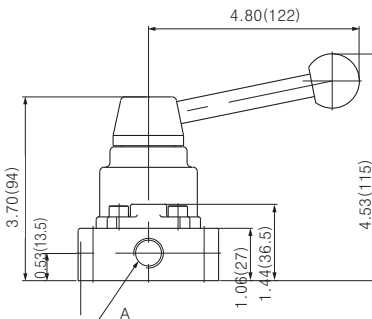
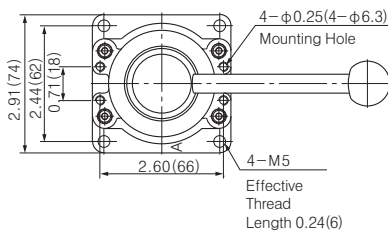
inch(mm)

DH200-02/Side Piping



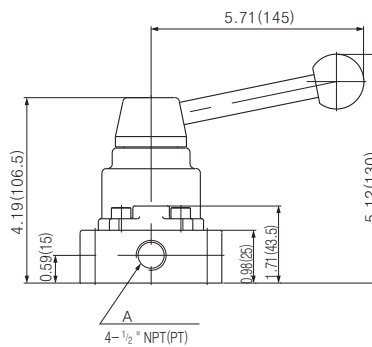
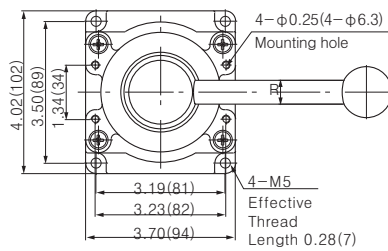
DH300-03/Side Piping

inch(mm)



DH400-04/Side Piping

inch(mm)



DW

DR100

DR200

RS1000,
2000

RS4000

SI UNIT

DV1000
DV3000
DV4000

DS300

DS3000

DS5000

DS2000

DS6000

DX1,DX2

DX1(2)R

DH

DP300
DP3000
DP5000

DM

DT220