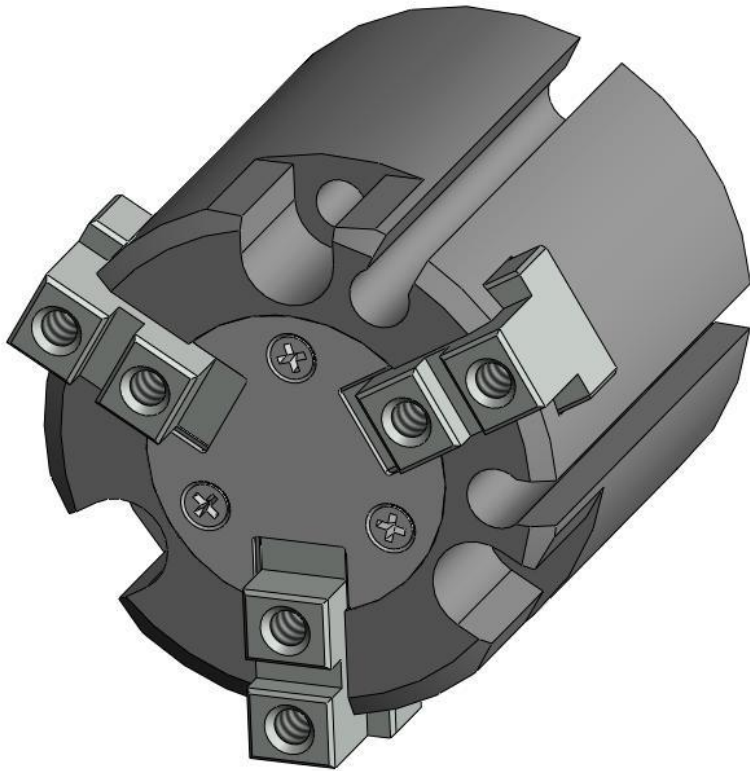


New Finger Concentric 3 Air Chuck



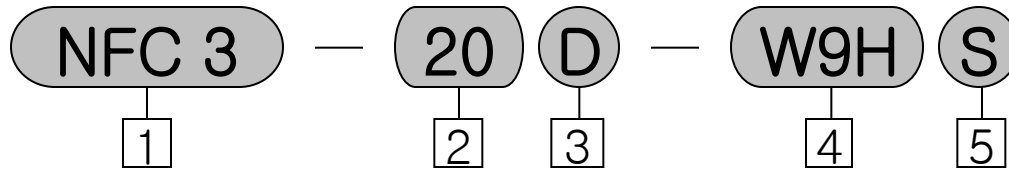
► NFC3 Series

- The wedge cam mechanism allows strong gripping force
- Can be mounted from two directions
- Applied CENTER PUSHER option(Ø50, Ø63, Ø80)

Bore sizes(Ømm)	16, 20, 25, 32, 40, 50, 63, 80
Fluid	Air
Action	Double Acting
Operation Pressure	0.2MPa ~ 0.6MPa
Proof Pressure	0.8 MPa (8.2 kgf/cm ²)
Ambient and Fluid Temperature	5~60°C
Repeatability	±0.01mm
Lubrication	Not Required
Auto Switch	Reed switch : DC(24V)/AC(110V) Solid State switch : DC(24V)
Tolerance of Stroke	0~+1mm
Critical Performance Times (C.P.M.)	120 c.p.m(Ø 16,20,25) 60 c.p.m(Ø 32,40,50,63,80)

■ Composition of Part number

○ How to Order



① Air Chuck

N : NEW
 F : FINGER
 C : CONCENTRIC
 3 : 3 FINGERS

② Bore Sizes

Number	Ø
16	Ø16
20	Ø20
25	Ø25
32	Ø32
40	Ø40
50	Ø50
63	Ø63
80	Ø80

③ Action

D : Double Acting

④ Auto Switch

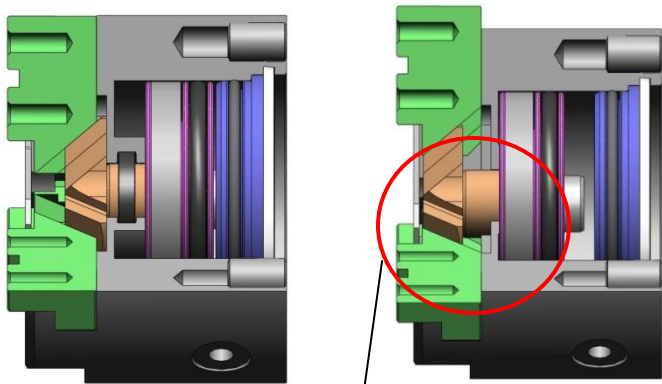
Blank : No Switch
 W9H : Micro solid state auto switch(horizontal)
 W9V : Micro Solid State auto switch(vertical)
 W10V : Micro solid state auto switch(10mm horizontal)
 W1HN(P) : Solid state auto switch(direct mounting)
 ▶ W1HN(P) is available from Ø32

⑤ Number of Auto Switch

Blank : 2 switches
 S : 1 switch



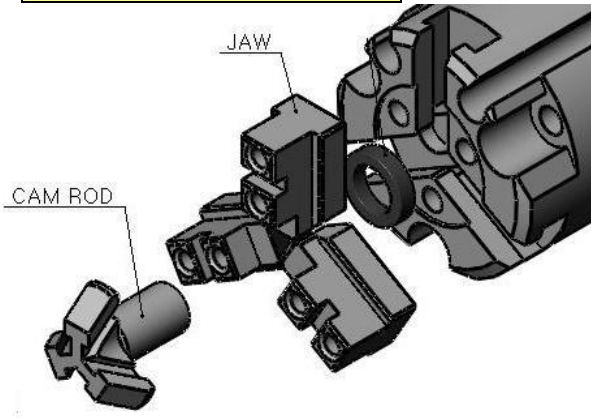
► Performance



<When it CLOSED >

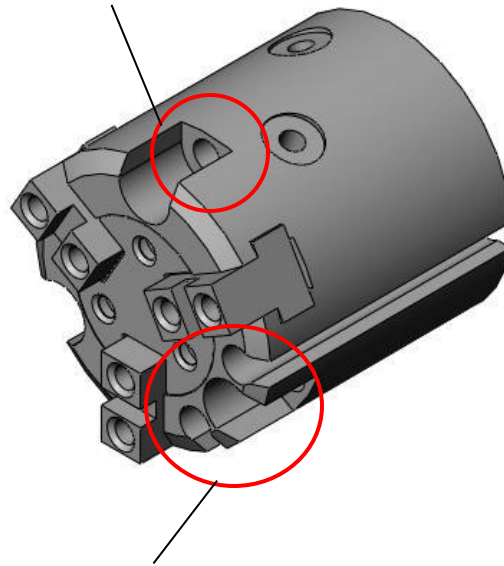
<When it OPEN >

Durability of abrasion
(Increased life time)

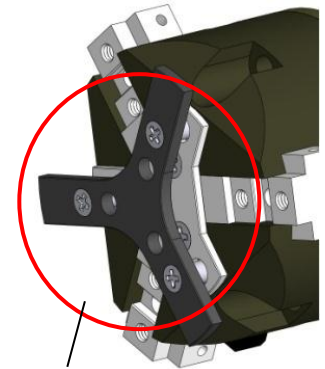


► Option

For compatibility with
other Brands



Solid State
Micro auto switch(Ø 4)
Whole size-coverage



CENTER
PUSHER
Ø50, 63, 80
Applied

